



QUADRAX D-SUB CONNECTORS

RUGGED QUADRAX DESIGN ENABLES GIGABIT ETHERNET SPEEDS WITH SUPERIOR SHIELDING PERFORMANCE FOR SIGNAL INTEGRITY

QUADRAX D-SUB CONNECTORS

Quadrax High-Speed Connectors

WELL ESTABLISHED TECHNOLOGY

- Provides excellent performance in harsh military and aerospace applications
- Enables Gigabit Ethernet speeds with excellent shielding effectiveness
- Rugged metal shell construction

VERSATILE

- Cable-to-cable and cable-to-board configurations
- Four Quadrax contacts in a size 3 shell (.5" x 2.0" window)
- Easy to assemble

APPLICATIONS

- Commercial Avionics Systems
- Aircraft Data Networks
- Military Communications
- In-Flight Entertainment Systems

Save Space, Boost Performance

Quadrax connectors from TE Connectivity (TE) provide four high-speed Quadrax contacts in a space-saving D-subminiature shell. Available as cable-to-cable and cable-to-board versions, the connectors support Gigabit Ethernet speeds with excellent shielding performance. The connectors are compatible with standard AMPLIMITE connector hardware.

More Choice in Quadrax Connectivity

Quadrax D-Sub connectors are only part of a wide-ranging family of TE products that help you achieve your high-speed performance goals for a variety of military and avionics applications. Compatible high-speed TE connectors and cable include:

- ARINC 600 Series Connectors
- General Purpose Rectangular Connectors
- MIL-DTL-38999 Connectors
- Quadrax-specific Connectors
- QUADLITE Quadraxial Cable

TE Components . . . TE Technology . . . TE Know-how . . .

AMP | Agastat | CII | Hartman | Kilovac | Microdot | Nanonics | Polamco | Raychem | Rochester | DEUTSCH SEACON Phoenix | L.L. Rowe | Phoenix Optix | SEACON

Get your product to market faster with a smarter, better solution.

سورة النجاة تحت المقعد
LIFE VERT UNDER YOUR SEAT



MECHANICAL/ENVIRONMENTAL

- **Random Vibration:** 16.4 g_{RMS} between 50 to 2000 Hz
- **Mechanical Shock:** 50 g half-sine pulses of 11 ms duration
- **Durability:** 100 mating cycles
- **Contact Retention:** 35 lb. minimum
- **Temperature Range:** 125°C
- **Salt Spray:** 48 hours
- **Altitude Immersion:** 50,000 ft.
- **Thermal Shock:** -65°C to +125°C
- **Humidity Temperature Cycling:** 10 cycles between 25°C and 65°C at 80 to 100% humidity

ELECTRICAL DATA

- **Electrical Performance:** Meets requirements of TIA-568-B.2 for insertion loss, return loss, NEXT and FEXT
- **Dielectric Withstanding Voltage:**
Adjacent contacts: 1000 V_{RMS}
Contact to shell: 500 V_{RMS}
- **Low-Level Contact Resistance:**
15 m Ω max. initial
30 m Ω max. final
- **Insulation Resistance:** 5000 M Ω minimum
- **Shell-to-Shell Conductivity:** 2.5 m Ω max

MATERIALS

- **Shells:** Nickel-plated aluminum
- **Mating Hardware:** Stainless steel
- **Strain Relief:** Thermoplastic
- **Contact Shells:** Copper alloy, gold plated
- **Dielectrics:** Thermoplastic
- **Interfacial Seal:** Fluorosilicone

APPLICATION TOOLING

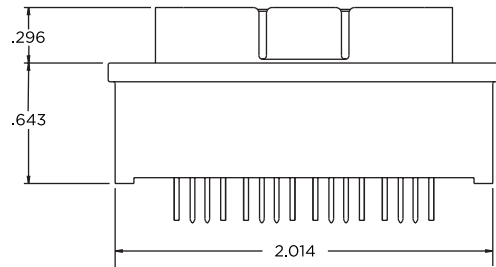
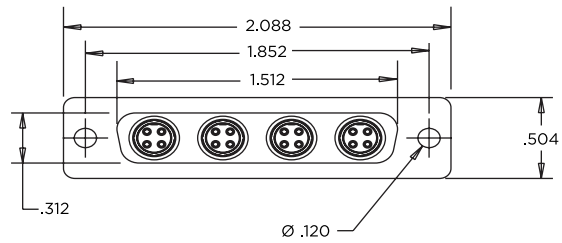
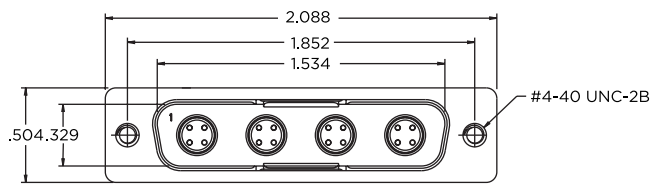
- **Inner Contacts:** M225202-01 hand tool with K709 positioner
- **Outer Shell:** M22520/5 hand tool with die set M22520/5-45
- **Ferrule Insertion Tool:** 1976593-2 (pin), 1976593-1 (socket)
- **Extraction Tool:** 1738894-1

STANDARDS AND TEST REPORT

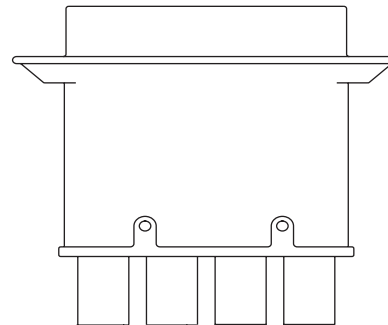
- **TE Performance Specification:** 108-2311
- **TE Qualification Report:** 501-738
- **TE Application Specification:** 114-13233



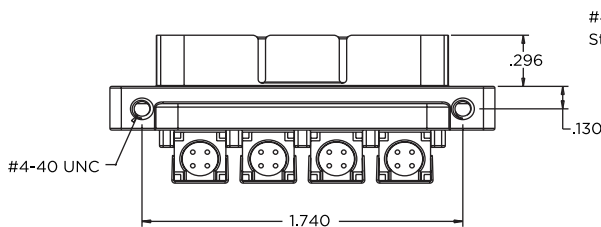
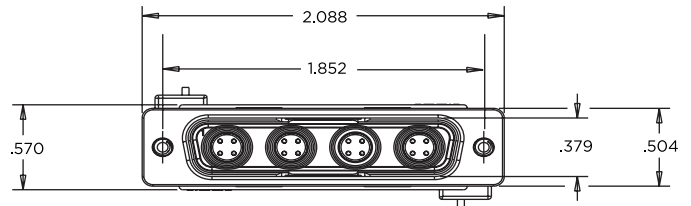
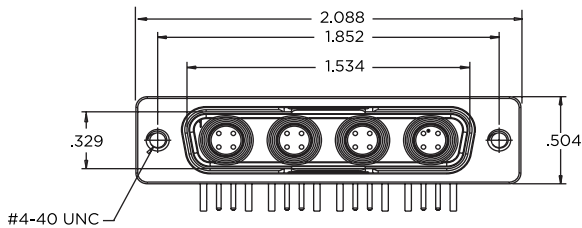
Product Dimensions



Vertical PCB-Mount Receptacle
2102995-1



Plug Kit
2000317-1 and 2000317-2
Socket contacts included in kit. Accepts standard AMPLIMITE screwlock hardware (sold separately)
Recommended Cables
2000317-1
Tensolite: NF24Q100, NF26Q100
Raychem: CEC-RWC-18687, CEC-RWC-18664
2000317-2
DRAKA F4704-4
Nexans: KD24



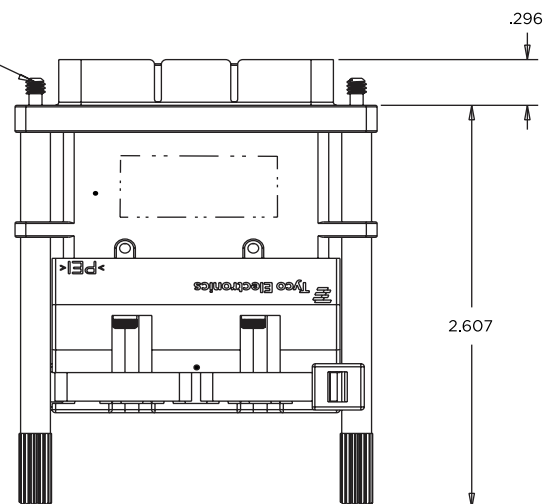
Right Angle PCB-Mount Receptacle

2000314-1 - with Interfacial Seal
2000314-2 - without Interfacial Seal
Accepts standard AMPLIMITE connector boardlock hardware (sold separately)

#4-40 Jackscrew
Stainless Steel

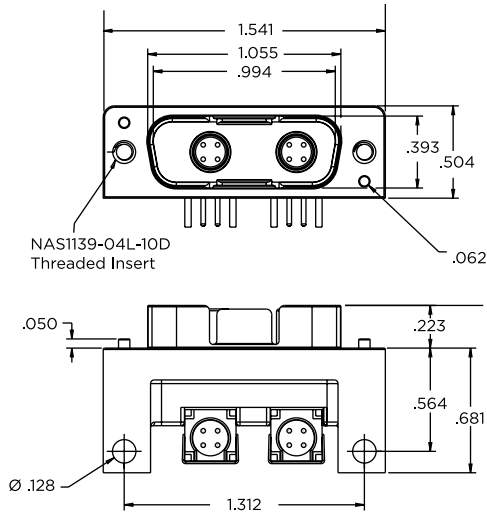
Panel Mount Receptacle Kit

2000263-1
Jackscrews, Strain Relief, and Crimp Pin Contacts included in kit.





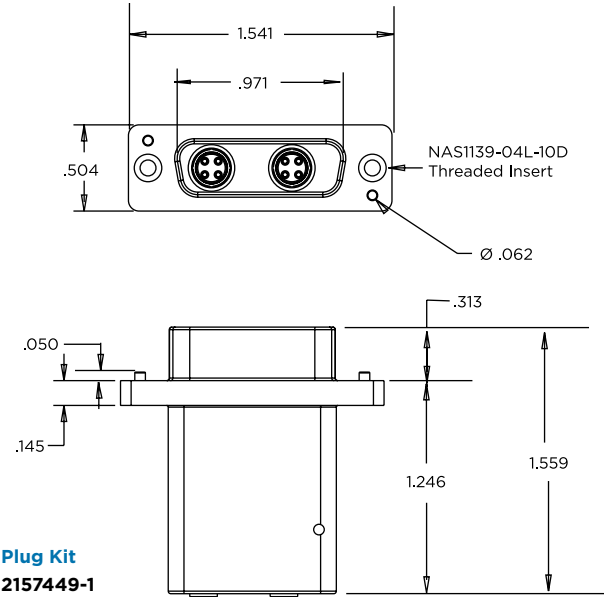
Product Dimensions



Right Angle PCB-Mount Receptacle

2157447-1

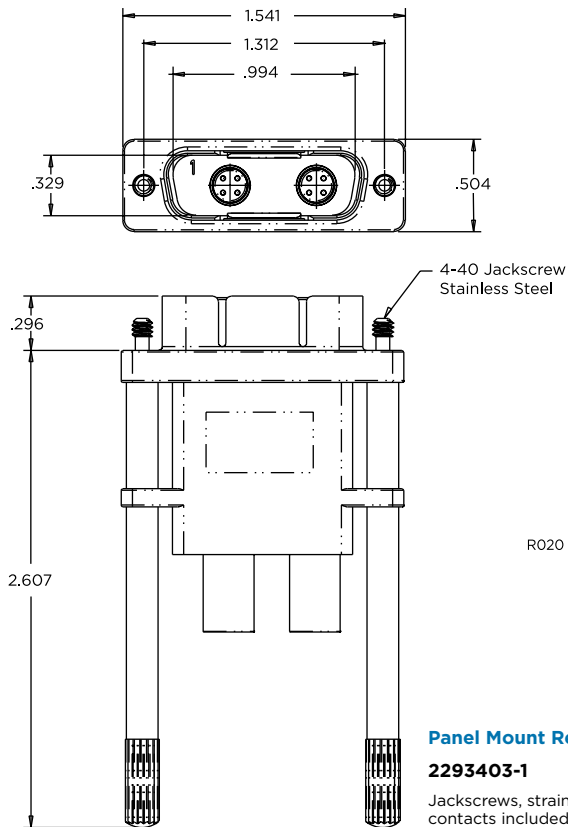
Accepts standard AMPLIMITE connector boardlock hardware (sold separately)



Plug Kit

2157449-1

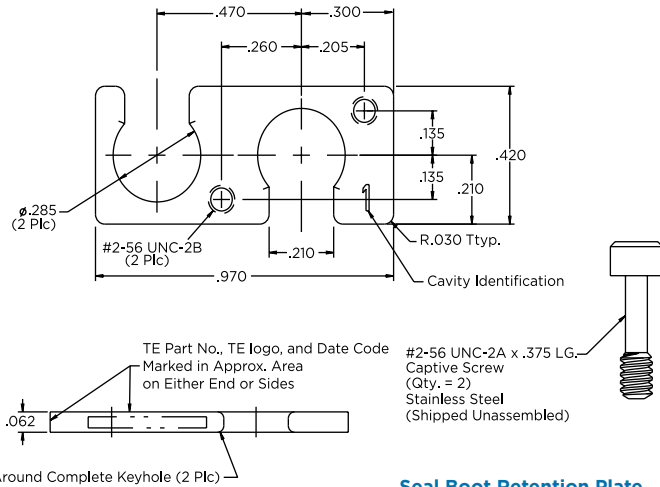
Socket contacts included in kit.



Panel Mount Receptacle Kit

2293403-1

Jackscrews, strain relief, and crimp pin contacts included in kit.



Seal Boot Retention Plate

2157789-1

Socket contacts included in kit.

For More Information

TE Technical Support Center

North America	+1 800 522 6752
Asia Pacific	+86 0 400 820 6015
Austria	+43 1 905 601 228
Baltic Regions	+46 8 5072 5000
Benelux	+31 73 6246 999
Czech Republic	+420 800 701 462
France	+33 1 34 20 86 86
Germany	+49 6251 133 1999
Hungary	+36 809 874 04
Italy	+39 011 401 2632
Nordic	+46 8 5072 5000
Poland	+48 800 702 309
Russia	+7495 790 790 2
Spain/Portugal	+34 93 2910366
Switzerland	+41 52 633 66 26
United Kingdom	+44 800 267 666

Follow us on Twitter for all the latest product news
@TEConnectivity, and on Facebook, TEConnectivity.

te.com

© 2015 TE Connectivity Ltd. family of companies. All Rights Reserved.

4-1773460-2 ADM/RRD 2.5M 06/2015

AMPLIMITE, QUADLITE, TE, TE Connectivity and the TE connectivity (logo) are trademarks of the TE Connectivity Ltd. family of companies.

Other products, logos, and company names mentioned herein may be trademarks of their respective owners.

While TE has made every reasonable effort to ensure the accuracy of the information herein, nothing herein constitutes any guarantee that such information is error-free, or any other representation, warranty or guarantee that the information is accurate, correct, reliable or current. The TE entity issuing this publication reserves the right to make any adjustments to the information contained herein at any time without notice. All implied warranties regarding the information contained herein, including, but not limited to, any implied warranties of merchantability or fitness for a particular purpose are expressly disclaimed. The dimensions herein are for reference purposes only and are subject to change without notice. Specifications are subject to change without notice.

Consult TE for the latest dimensions and design specifications.